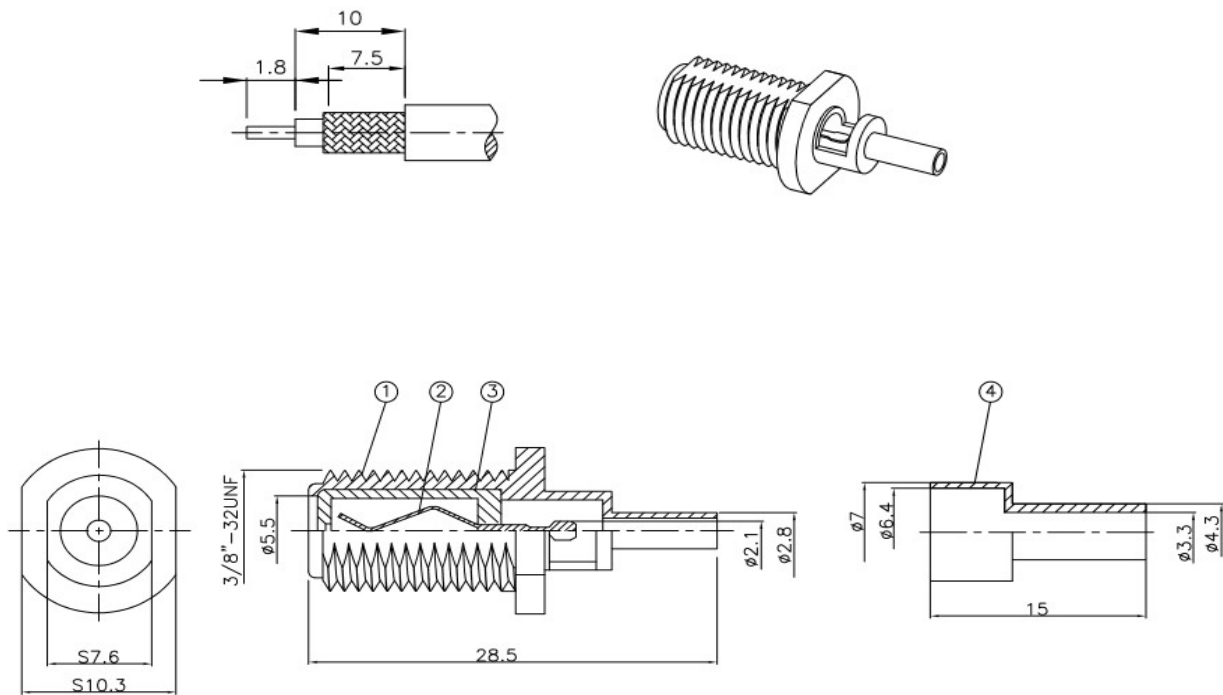


F-102

F Kupplung crimp /

RG174, RG316



NO	DESCRIPTION	MATERIAL	Q' TY	FINISH
1	BODY	BRASS	1	NICKEL
2	PIN	P.P+BOBBIN	1	TIN
3	INSULATION	DELTRIN	1	DELTRIN
4	RING	BRASS	1	NICKEL